

SLIDING CLIPS WITH 70MM SLIDING RANGE:

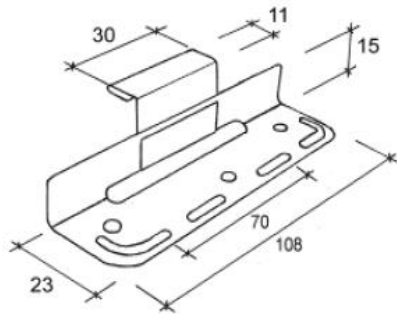
Execution:

Seaming Heights:	25mm (Standard)	Article Number: HA-5360-70
	28mm	Article Number: HA-5360-728
	30mm	Article Number: HA-5360-730
	32mm	Article Number: HA-5360-732
	38mm	Article Number: HA-5360-738
	50mm	Article Number: HA-5360-750

Material: Stainless Steel (A2) 1.4301, AISI 304

Material thickness: Bottom part 0.5mm – Top part 0.4mm

Figure/Dimensioning:



Description:

LONG SLIDING CLIP for folded or roll formed standing seam.

Top and bottom part are pre- assembled.
To attach pre-profiled standing seams.

Manufacturing process according to the expert regulations of the German roofing craftsmanship. Especially concerning its material, strength and designation.

The special shape of the fixing clips upper part causes a slight clamping effect. So the clips cannot slip down before their final fixation by nail.

Designation with rounded corners and bead to avoid the damaging of the roofs layers by high standing corners. Also to get more stability of the under part respective equalising the difference of nail heads or screw heads.

(Figure with measurement in mm – no scale)

